

Under Tray Toolboxes

Under body toolboxes are the ideal storage area for ropes, jacks or tools, leaving your tray and cabin uncluttered.

ALUMINIUM CHECKER PLATE TOOLBOX

STANDARD FEATURES

- Size – 600/450L x 420H x 200D (740mm long box optional)
- Aluminium checker plate construction
- Lockable drop T handle
- Rubber door seal

POWDER COATED STEEL TOOLBOX

STANDARD FEATURES

- Size – 600/450L x 400H x 200D
- Zinc coated steel construction
- Lockable drop T handle
- Rubber door seal

COLOUR CODED STEEL TOOLBOX

(only available along with a painted tray)

STANDARD FEATURES

- Size – 600/450L x 400H x 200D
- Zinc coated steel construction
- Colour coded to match tray
- Lockable drop T handle
- Rubber door seal

Other box sizes available on request



Rolla Drawer

The Rolla Drawer is one of Duratray's most popular under body storage units and is designed to lock away your tools discreetly and securely in a self contained drawer unit.

Fitting neatly between the tray and the chassis, all your tools and equipment are quickly and easily accessible when required. With robust galvanised steel construction, sealed for life bearings and a three point latching system, the Rolla Drawer is built for a long and hassle free life.

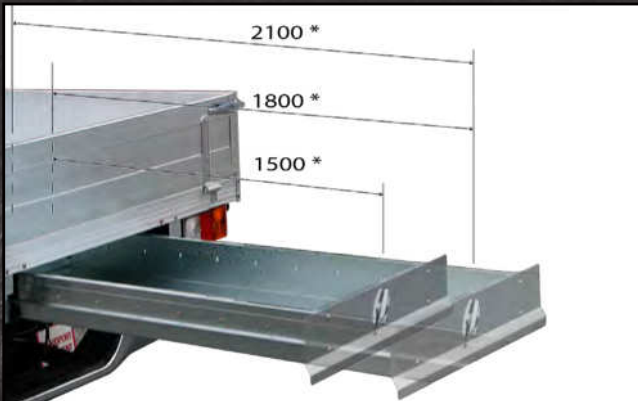
Available Sizes (differs depending on vehicle make and model)

- 1500 L x 680 W x 120 D
- 1800 L x 680 W x 120 D
- 2100 L x 680 W x 120 D (overall total drawer length)



A Rolla Drawer can be fitted to almost any make and model of utility

Please note – The tray body height is raised by approximately 50mm when a Rolla Drawer is fitted.



Available Sizes



3 point locking



Optional colour coded Rolla Drawer face – match your vehicle colour

Under Tray Locker

Duratray's Under Tray Locker utilises the available space between the chassis and the tray. This storage solution is great for the storage of shovels, crowbars, star pickets and other long items that can be awkward in the back of your tray...

Standard features include: lockable rear door and stainless steel hinge. (please note – this locker is not weatherproof)

AVAILABLE SIZES

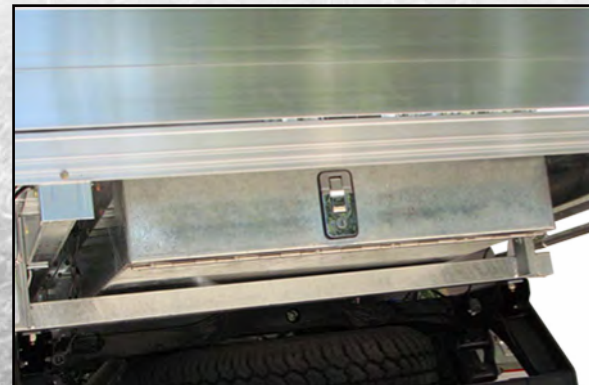
1500L x 750W x 150D

1800L x 750W x 150D

2100L x 750W x 150D

(Size depends on vehicle make and model)

Tray body height may need to be raised when a Under Tray Locker is fitted.

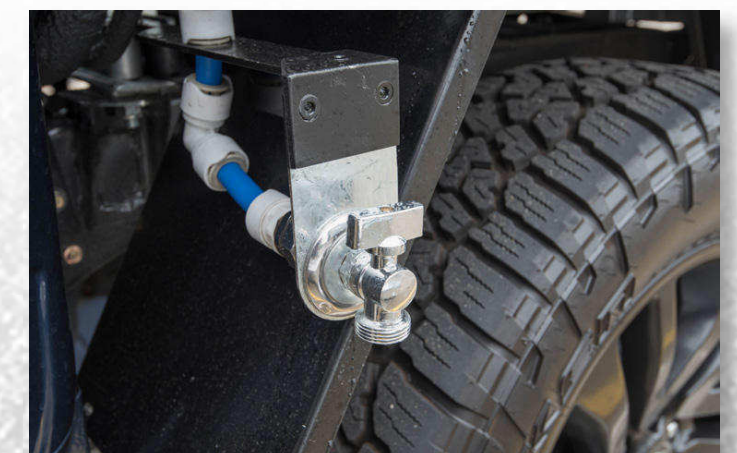


35L Headboard Water Tank

The 35 litre headboard mounted slim water tank mounts neatly between the cabin and the tray.



Tank fill point & breather



Tank Tap

- Slimline design - takes up minimal space
- Large 35 litre capacity
- Having water in a previously unused space allows fitment of under body toolboxes & rolla drawer

Water Tanks

Duratray's range of Water Tanks are suitable for fitment to almost any ute. Models are available in both PVC and stainless steel, plus a slimline tank fitting between the tray and the chassis. Having an on-board water tank with hand cleaner ensures quick easy clean up at the end of the job!

UTE WATER TANKS



30L PVC water tank including hand cleaner bottle



15L PVC Water tank including hand cleaner bottle

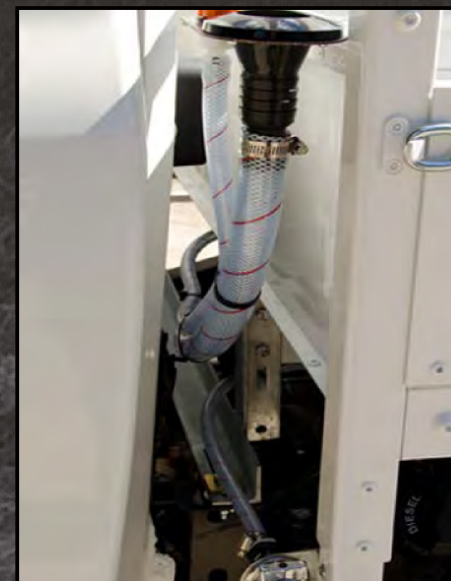


40L Stainless steel water tank

80L PVC SLIMLINE UNDER TRAY WATER TANK



80L PVC slimline water tank mounts between tray and chassis



80L slimline tank - filler, tap and breather mounts between tray and vehicle cabin



80L slimline tank - optional 12v pump offers increased flow rate



80L slimline tank size - 1080L x 830W x 115H

Above Tray Toolboxes

ANGLE HIGH SIDE BOXES

The Angle High Side box is designed for "side mounting", with access from the side of the vehicle and is available with either a 3/4 door or gull wing door. Both boxes come standard with one fixed shelf.

ANGLE HIGH SIDE 3/4 DOOR BOXES

The Angle High Side 3/4 door box is a great addition to any ute. With the door opening above the tray dropside, this box is designed to fit inside a tray to offer easy access with no tray modification required.

AVAILABLE SIZES

1125L x 820H x 550W	1125L x 650H x 525W
1425L x 820H x 550W	1425L x 650H x 525W
1800L x 820H x 550W	1800L x 650H x 525W

ANGLE HIGH SIDE FULL DOOR BOXES

The Angle High Side full door box offers full access to all of your equipment. With a full height door, this box gives maximum use of the storage space.

AVAILABLE SIZES

1125L x 820H x 550W	1125L x 650H x 525W
1425L x 820H x 550W	1425L x 650H x 525W
1800L x 820H x 550W	1800L x 650H x 525W

WORKMATE RANGE

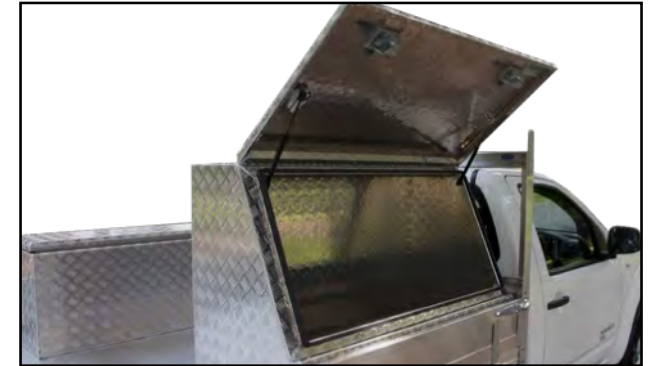
The Workmate range is designed for increased access, with the lid hinged at the rear of the box. This makes it ideal for locking away awkward or large tools, and the reduced height also gives increased rear visibility.

AVAILABLE SIZES - SINGLE LID

1125L x 504H x 525W
1425L x 504H x 525W
1750L x 504H x 525W

AVAILABLE SIZES - DUAL LID (NOT SHOWN)

2300L x 504H x 525W



duratray
TRANSPORT EQUIPMENT